

BORNCUT

Borncut Portion Cutters

Models 225D and 225S



- Higher speed
- Better vision technology
- More cutting accuracy

Dedicated to the art of PORTION CUTTING

Superior portion cutting for consistent product weight, shape and quality – each and every time.

With speeds of up to **4,340 cuts per minute**, Borncut Portion Cutters are the ultimate way to produce precise, fixed-weight portions of fresh meat like boneless breasts and salmon, in high-speed production environments. The Borncut machine optimizes your capacity while reducing product giveaway and integrates easily with complex production lines.

Advanced Technology

The high speed and superior precision of Borncut Portion Cutters are the result of developing a sophisticated system that has been honed to perfection. Our experienced developers have designed the “ultimate” machine by combining the best attributes of various advanced technologies. Incorporating a high-resolution 400 Hz camera, advanced servo-technology, a precise laser system plus advanced software for calculating the product density and converting the data to cutting specs, Borncut Portion Cutting machines are capable of handling their tasks with unprecedented speeds and precision.

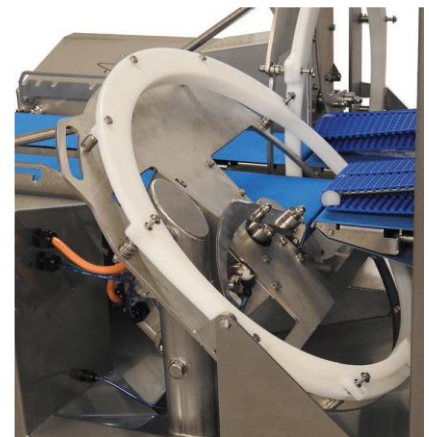
Key benefits:

- High-speed portioning – up to 4,340 cuts per minute
- High yields, with low product giveaway
- User -friendly HMI touchscreen
- Hygienic and easy to clean
- Rugged construction that's built to last
- Value-priced for quick ROI payback



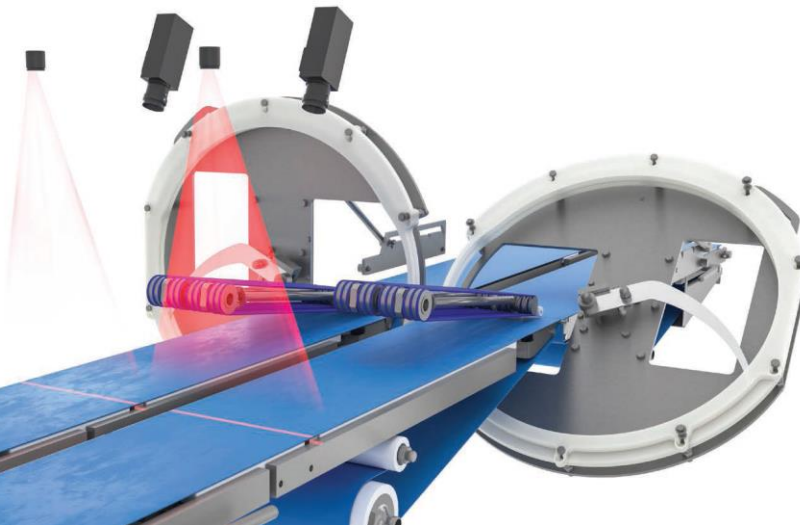
The “Real” Portion Cutter

The world's first portion cutter was designed by Norfo, which is where the developers of the Borncut Portion Cutter gained their technical experience and insight. Since then, these developers have maintained their leading position as producers of renowned equipment that we know today.



Intelligent Knife Design

The knife on the Borncut Portion Cutter is mounted into a knife ring which cuts in a 360° circle every time it strikes. At the point of cutting there is a small gap between the two belts where the knife can pass through.



The knife cuts with incredibly high speed, ensuring only minimal “wear impact” on the product. Moreover, because it’s made of a super -strong engineered steel, the knife is extremely thin and slightly curved. This prevents the product from sliding on the belt – ensuring a clean cut every time.

High-Capacity Cutting

The high capacity of up to 4,340 cuts per minute is achieved by the finely-tuned system. Combined with advanced proprietary software, this results in cutting precision and speed never before achieved. The result? Optimized yield with minimized product giveaway.

Flexible Cutting Angles

The knife ring allows for quick and easy adjustment of the cutting angle. The knife ring can be set to cut at up to four variable angles (45°, 60°, 75° and 90° for example), which can be customer -predefined. Once set, no manual adjustment of the knife is required. This feature means that the knife is always set in the precise angle,

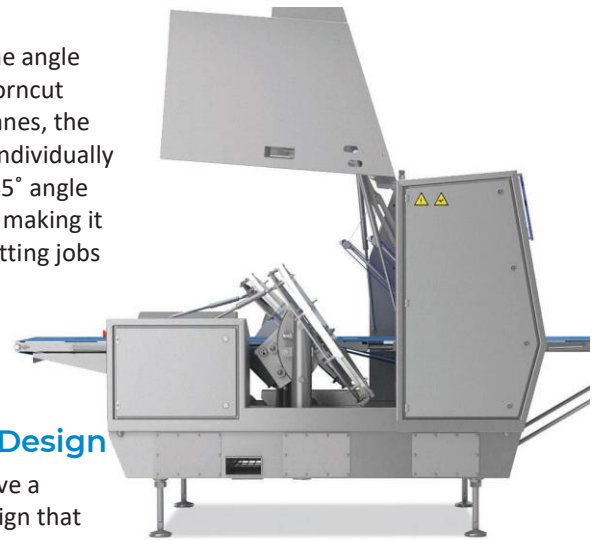
making it easy to change the angle from one to another. On Borncut Portion Cutters with dual lanes, the two knife-rings can be set individually – for example, one with a 45° angle and the other at 90° – thus making it possible to run different cutting jobs at the same time.

Rugged, Hygienic Design

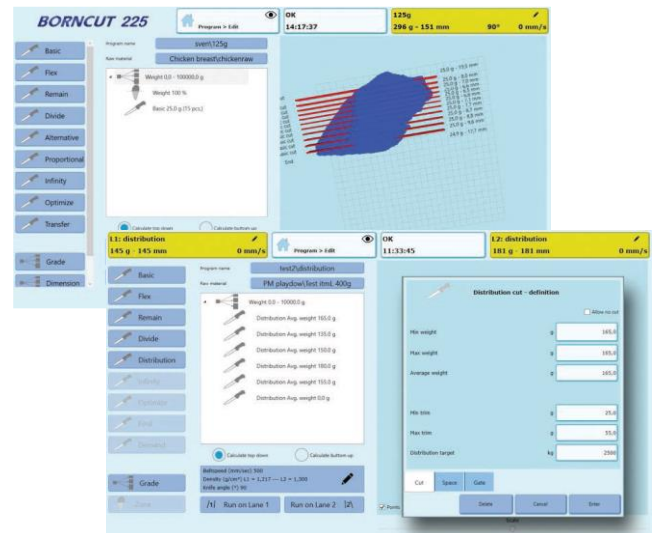
Borncut Portion Cutters have a polished stainless steel design that minimizes product buildup in collection points. Servo-motors are enclosed in hermetically sealed cabinets in an IP65 environment. Because the knife motor is water -cooled, it eliminates the need to have unhygienic air -cooling tubes inside the machine.

User-Friendly Operation

The Borncut Portion Cutter is driven by an intelligent multi -controller with a user -friendly multi-touch screen. Workers can easily operate the preprogrammed applications by simply keying -in values and



specifications for the given end-product. All programs can be saved in the database, ready for use, so just one click is needed to change an application. When setting up an application with a new product, a visual preview of the actual product is displayed, presenting the yield of the cutting pattern of the product. All technical specifications are converted and displayed in the product illustration.

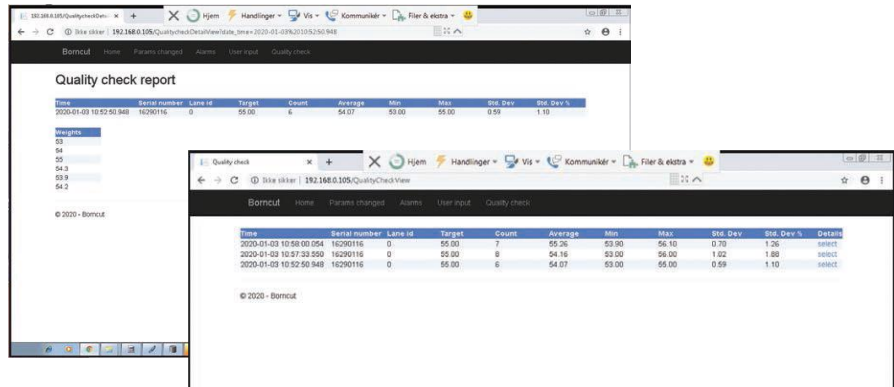


Dedicated to the art of PORTION CUTTING

QC Accuracy Verification

Borncut Portion Cutters can be configured with an optional QC reporting package that will ensure correct calibration and adjustment of product densities, based on standard deviations and average weight.

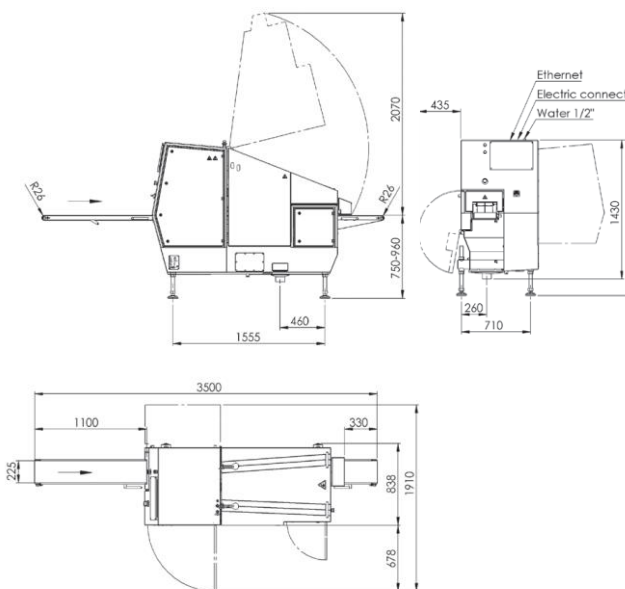
Using random quality sampling, the quality control system – which may consist of static or dynamic weighing equipment, plus proprietary software – will register and document the weight of the cut-up products that have been selected for sampling. Based on the sampling results, the Borncut machine will automatically adjust the product density using the actual product weight compared to the target weight. As part of various available production reports, a special QC report will be automatically generated.



Borncut Portion Cutters Technical Specifications

HMI Operator screen	15.6", multi-touch widescreen 16/9
Construction	AISI type 303 and 304 stainless steel; food-grade polymer components
Footprint (225S / 225D) L *W	1,900 x 840 / 1,900 x 1,380 mm
Production	Max cutting speed - per lane 2,170 cuts/min Max belt speed: 700 mm/sec
Products Processed	Max product length 750-830 mm Max product height 80 mm
Dimensions	Belt width: 225 mm (8.85 in) Infeed belt - max length 1,100 mm Dimensions L x W x H 3,500 x 1,280 x 1,600 mm
Supply	Power Connection 3*380-480V +PE, 16A, 50/60Hz Water connection 1/2"

BC225S Single Lane



BC225D Dual Lane

